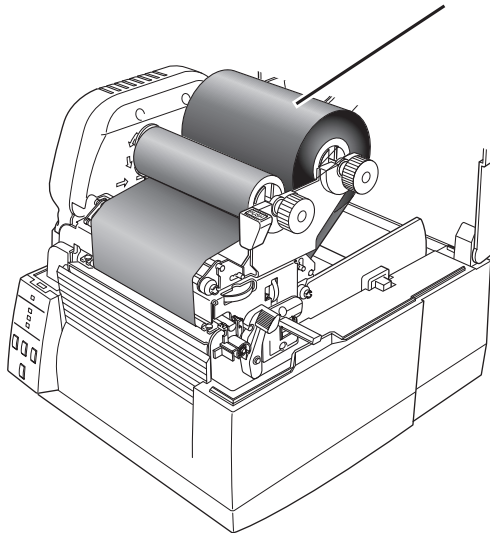


CL-S621 Print Head Cleaning

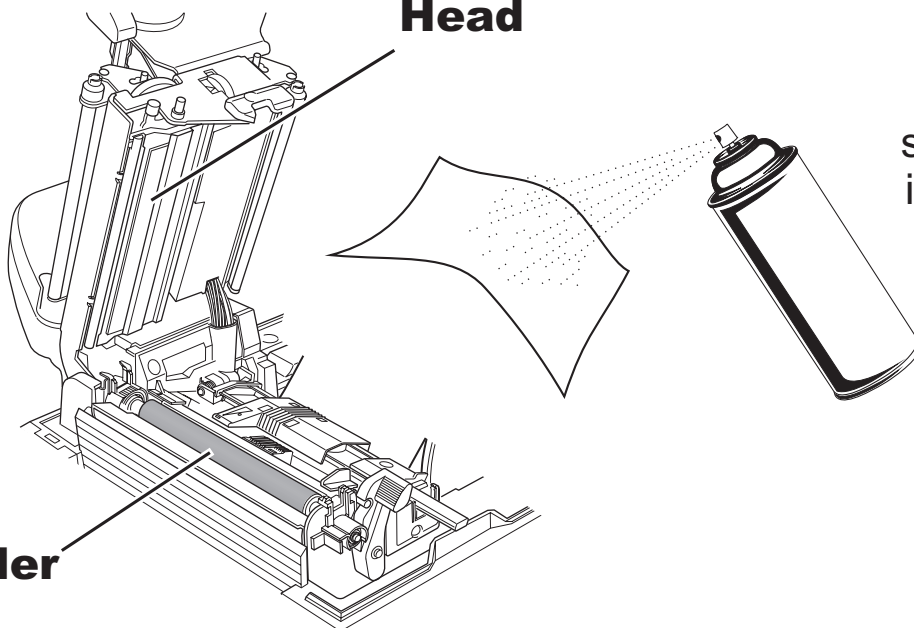
When replacing printer ribbon, follow these simple instructions on how to clean the print head. This will ensure good quality print and reduce wear on the printer head.

Ribbon



Remove old ribbon to reveal print head (the head requires cleaning every time the ribbon is replaced).

Head

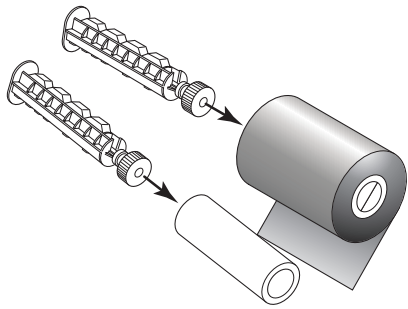


Clean the print head using alcohol wipes, or spray a small amount of isopropyl alcohol onto a lint free cloth and firmly but carefully wipe the head. Also rotate and wipe the platen roller.

Service: 0121 623 8050

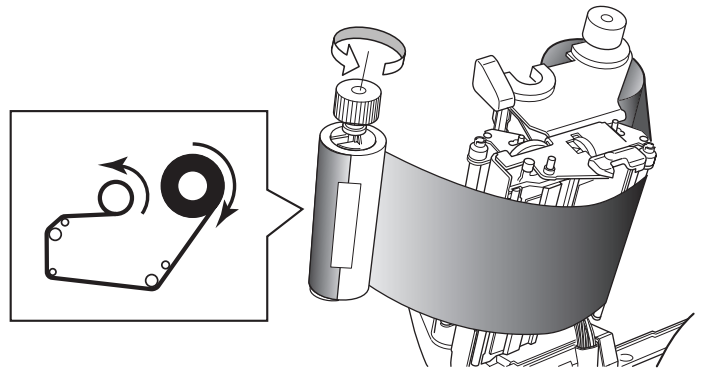
CL-S621 Ribbon Installation

1



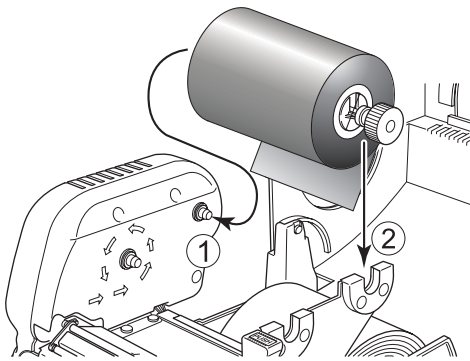
Insert ribbon holders

4



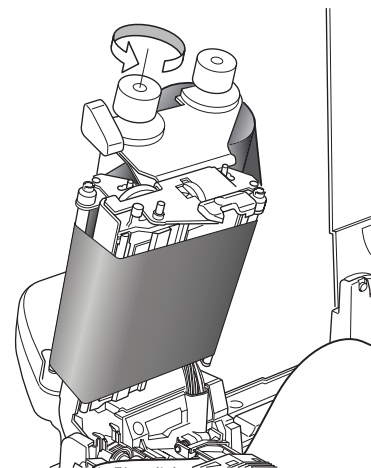
Attach Ribbon with tape

2



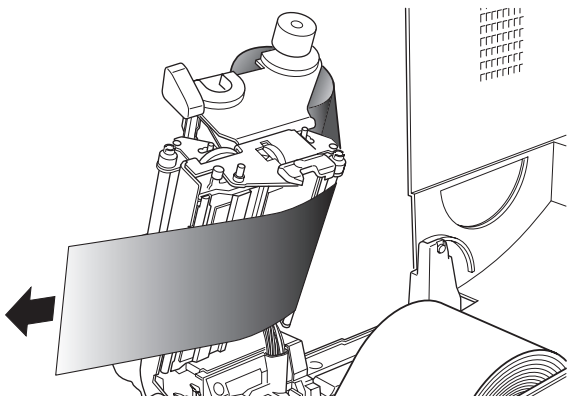
Load New Ribbon

5



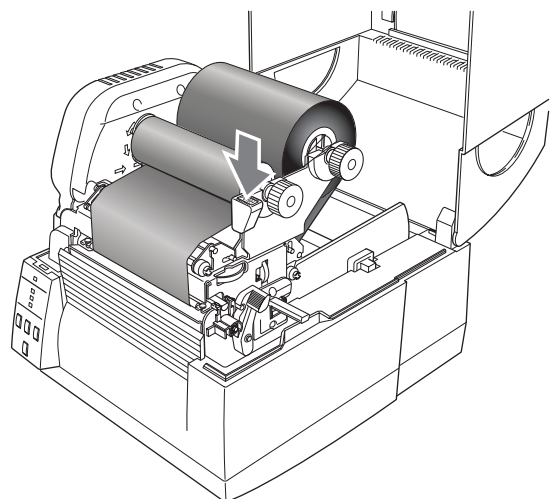
Wind out creases

3 Open Ribbon Section...



...Pull Ribbon Forward

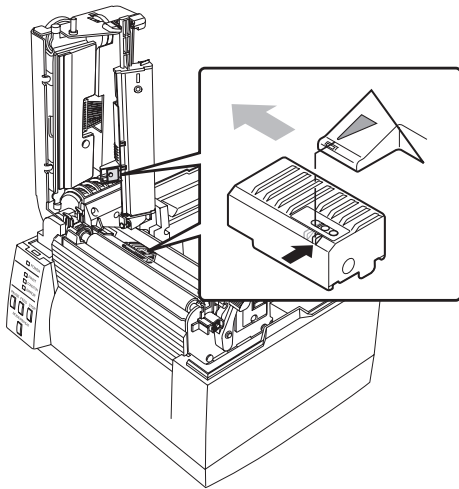
6



Close Ribbon Section

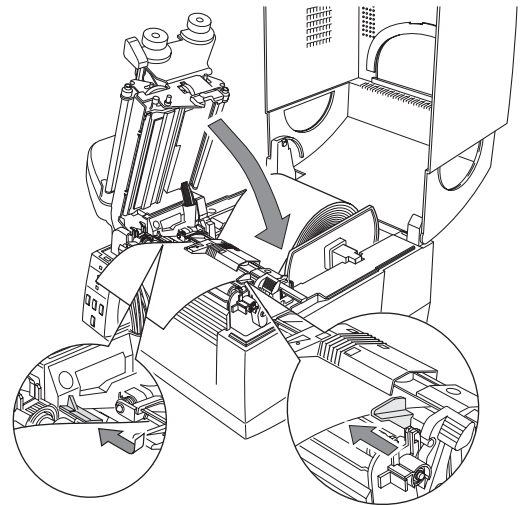
CL-S621 Media Installation

1



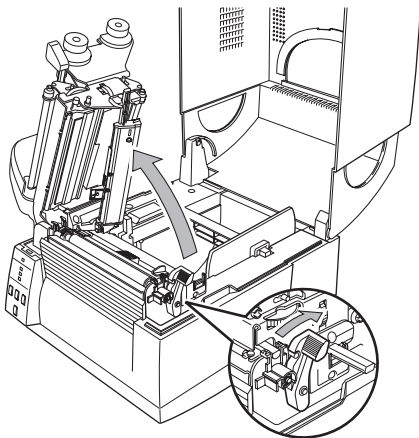
Line up Sensors

4



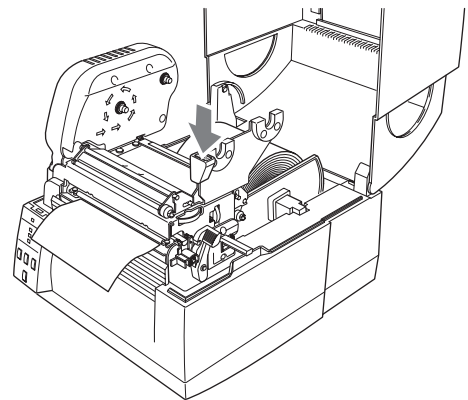
Position guides, lower bar

2



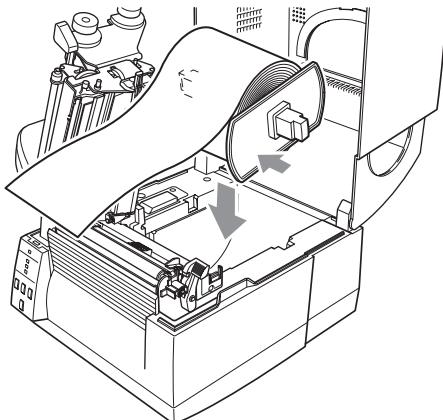
Lift Sensor Bar

5



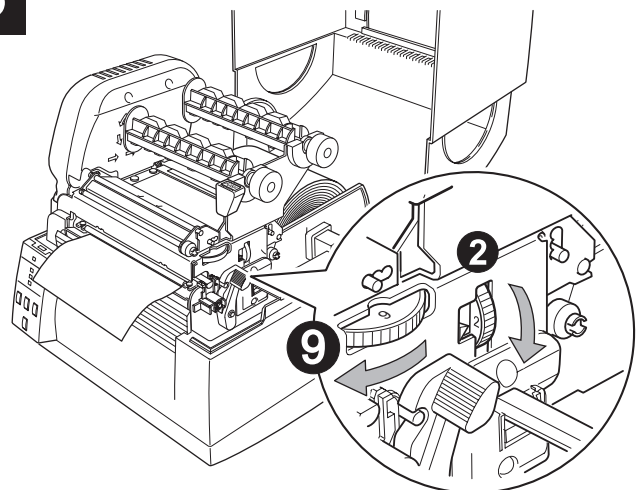
Close Ribbon

3



Insert roll into printer

6



Set Dials